

# TruSnap™ One Gallon



## CAN PRODUCT CODE

120AP

## LID PRODUCT CODE

122AP

## HANDLE COMPONENT CODE

APH16

- Mold Cavity Identification
- Date Coded for Traceability
- Recycled Logo: #5 PP
- Leak Tested 100%

## SPECIFICATIONS: CONTAINER

**Height:** 7.806" +/- 0.025"

**Body Diameter:** 6.625"

**Resin Type:** Recycled Polypropylene (Black)

**Overflow Capacity:** Minimum, 136 fluid ounces

**Compression Strength:** 1,300 lb. minimum

**Weight:** 235 g

## PACKAGING

**Cans per Pallet:** 318

**Height:** 52" - 6 Layers

**Pallet Dimensions:** 44" x 56"

**Cans per Pallet:** 636

**Height:** 99"- 12 Layers

**Pallet Dimensions:** 44" x 56"

## SPECIFICATIONS: LID

**Outer Diameter:** 6.26"

**Flat Surface:** 5.25"

**Thickness:** 0.37"

**Resin Type:** Recycled Polypropylene (Black)

**Weight:** 35 g

## PACKAGING

**Lids per Box:** 342

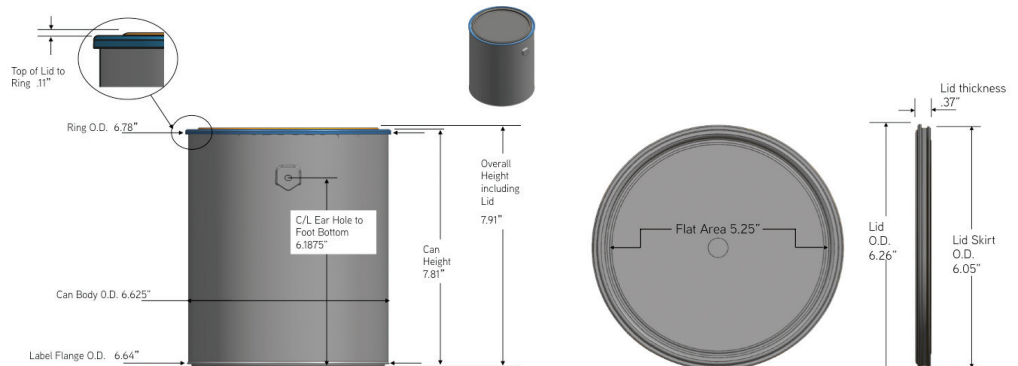
**Boxes per Pallet:** 20

**Total Lids per Pallet:** 6,840

**Pallet Dimensions:** 44" x 56"

## FULL TRUCKLOAD CAPACITY

- 53' Trailer
  - 110" Clearance
  - Swing Door
  - Dry Van
- Cans and Lids: 13,356 Cans / 13,680 Lids      Cans Only: 13,992



KW Container | kwcontainer.com

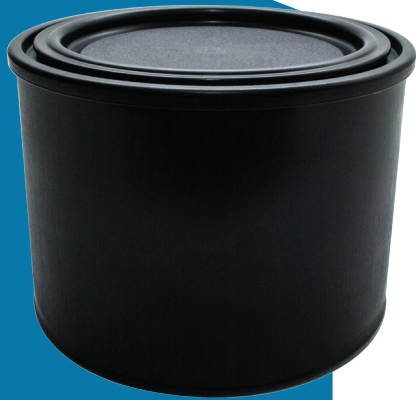
110 Henderson HWY, Troy, AL 36079

334-566-1563 • 800-633-8744 • 334-566-1415 (Fax)



TruSnap™

# TruSnap™ One Pint/.5 Liter



## CAN PRODUCT CODE

500ML

## LID PRODUCT CODE

421AP

- Mold Cavity Identification
- Date Coded for Traceability
- Recycled Logo: #5 PP
- Leak Tested 100%

## SPECIFICATIONS: CONTAINER

**Height:** 3.130" +/- 0.015"

**Body Diameter:** 4.25"

**Resin Type:** Recycled Polypropylene (Black)

**Overflow Capacity:** Minimum, 20.2 fluid ounces

**Compression Strength:** 600 lb. minimum

**Weight:** 57 g

## PACKAGING

**Cans per Pallet:** 1,980

**Height:** 52" - 15 Layers

**Pallet Dimensions:** 44" x 56"

## SPECIFICATIONS: LID

**Outer Diameter:** 3.88"

**Flat Surface:** 2.875"

**Thickness:** 0.30"

**Resin Type:** Recycled Polypropylene (Black)

**Weight:** 10.5 g

## PACKAGING

**Lids per Box:** 552

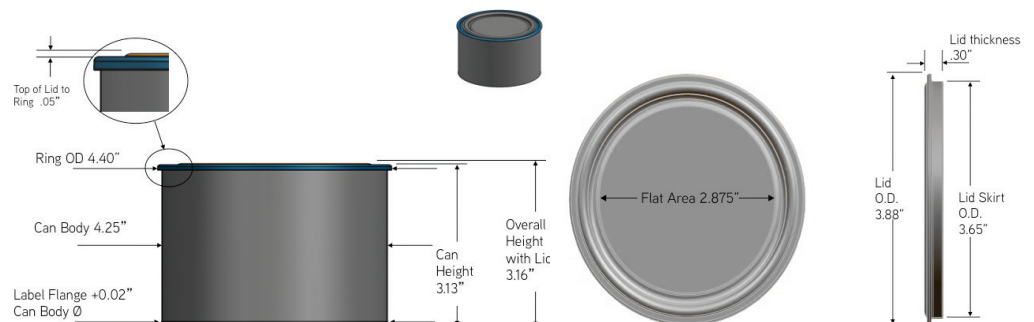
**Boxes per Pallet:** 30

**Total Lids per Pallet:** 16,560

**Pallet Dimensions:** 44" x 56"

## FULL TRUCKLOAD CAPACITY

- 53' Trailer
  - 110" Clearance
  - Swing Door
  - Dry Van
- Cans and Lids: 77,220 Cans / 82,800 Lids      Cans Only: 87,120



KW Container | kwcontainer.com

110 Henderson HWY, Troy, AL 36079

334-566-1563 • 800-633-8744 • 334-566-1415 (Fax)



TruSnap™

# TruSnap™ One Quart



## CAN PRODUCT CODE

420AP

## LID PRODUCT CODE

421AP

- Mold Cavity Identification
- Date Coded for Traceability
- Recycled Logo: #5 PP
- Leak Tested 100%

## SPECIFICATIONS: CONTAINER

**Height:** 4.933" +/- 0.025"

**Body Diameter:** 4.25"

**Resin Type:** Recycled Polypropylene (Black)

**Overflow Capacity:** Minimum, 34 fluid ounces

**Compression Strength:** 600 lb. minimum

**Weight:** 79 g

## PACKAGING

**Cans per Pallet:** 1,188

**Height:** 49" - 9 Layers

**Pallet Dimensions:** 44" x 56"

## SPECIFICATIONS: LID

**Outer Diameter:** 3.88"

**Flat Surface:** 2.875"

**Thickness:** 0.30"

**Resin Type:** Recycled Polypropylene (Black)

**Weight:** 10.5 g

## PACKAGING

**Lids per Box:** 522

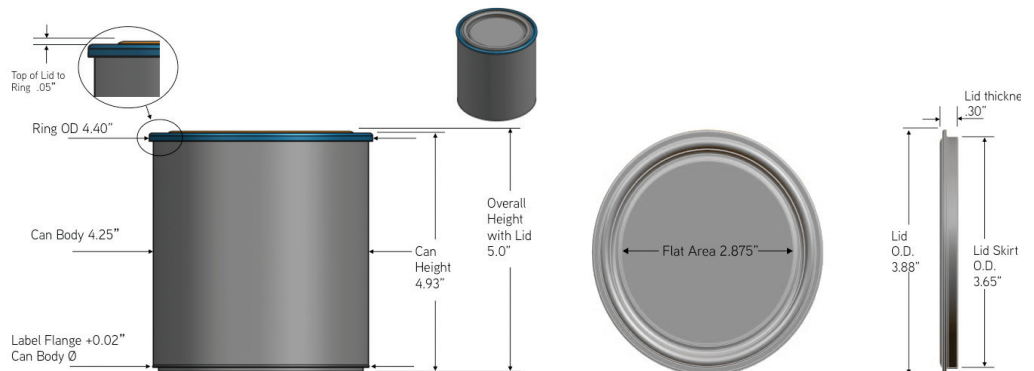
**Boxes per Pallet:** 30

**Total Lids per Pallet:** 16,560

**Pallet Dimensions:** 44" x 56"

## FULL TRUCKLOAD CAPACITY

- 53' Trailer
  - 110" Clearance
  - Swing Door
  - Dry Van
- Cans and Lids: 48,708 Cans / 49,680 Lids      Cans Only: 52,272



KW Container | kwcontainer.com  
110 Henderson HWY, Troy, AL 36079  
334-566-1563 • 800-633-8744 • 334-566-1415 (Fax)

