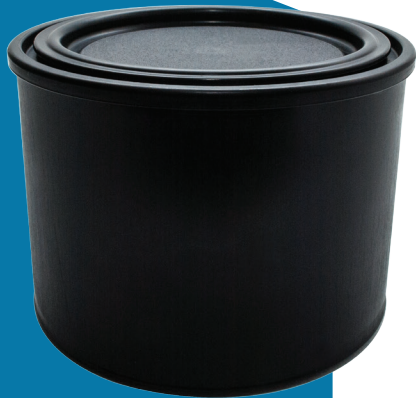


TruSnap™ One Pint/.5 Liter



CAN PRODUCT CODE

500ML

LID PRODUCT CODE

421AP

- Mold Cavity Identification
- Date Coded for Traceability
- Recycled Logo: #5 PP
- Leak Tested 100%

SPECIFICATIONS: CONTAINER

Height: 3.130" +/- 0.015"

Body Diameter: 4.25"

Resin Type: Recycled Polypropylene (Black)

Overflow Capacity: Minimum, 20.2 fluid ounces

Compression Strength: 600 lb. minimum

Weight: 57 g

PACKAGING

Cans per Pallet: 1,980

Height: 52" - 15 Layers

Pallet Dimensions: 44" x 56"

SPECIFICATIONS: LID

Outer Diameter: 3.88"

Flat Surface: 2.875"

Thickness: 0.30"

Resin Type: Recycled Polypropylene (Black)

Weight: 10.5 g

PACKAGING

Lids per Box: 552

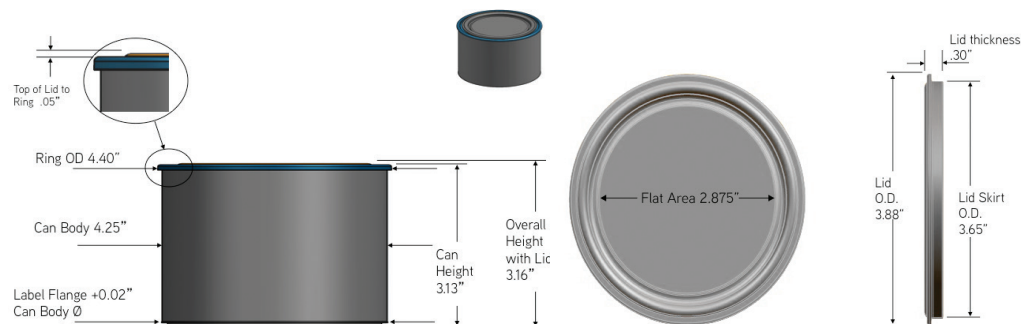
Boxes per Pallet: 30

Total Lids per Pallet: 16,560

Pallet Dimensions: 44" x 56"

FULL TRUCKLOAD CAPACITY

- 53' Trailer
 - 110" Clearance
 - Swing Door
 - Dry Van
- Cans and Lids: 77,220 Cans / 82,800 Lids Cans Only: 87,120



KW Container | kwcontainer.com

110 Henderson HWY, Troy, AL 36079

334-566-1563 • 800-633-8744 • 334-566-1415 (Fax)



TruSnap™